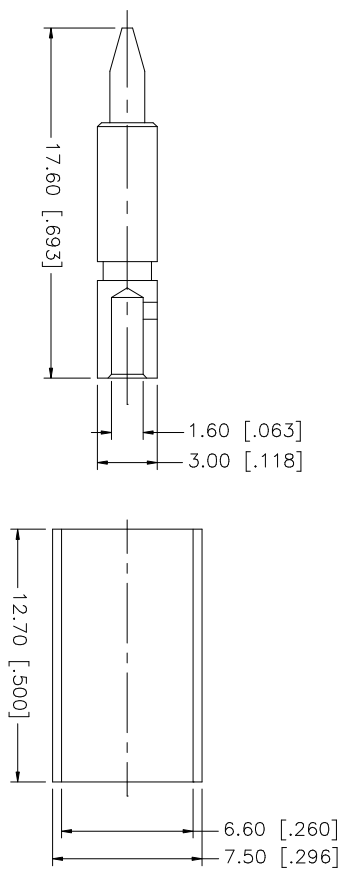
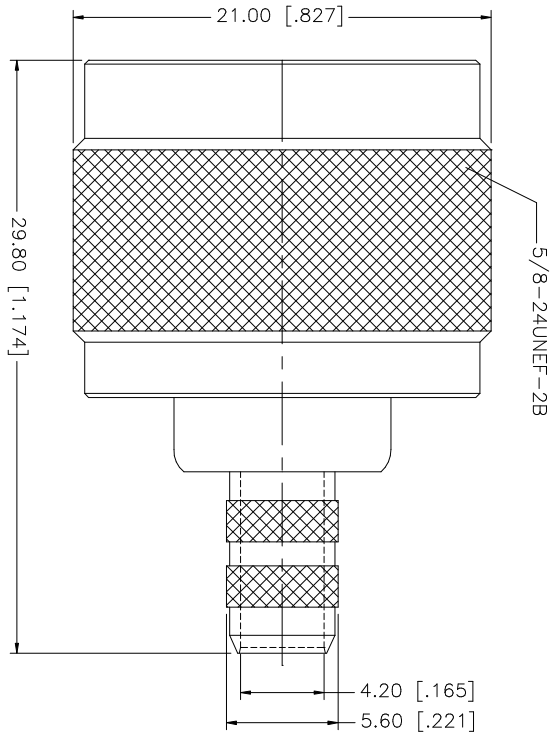
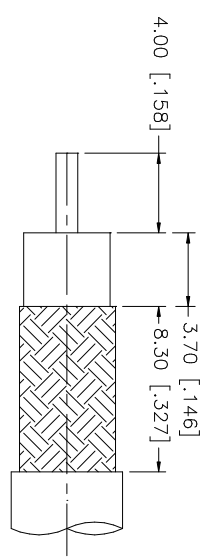


REV.	DATE	DESCRIPTION
A	04/31/03	UPDATE DRAWING FORMAT



RECOMMENDED
CABLE STRIPPING DIM'S



- NOTE:
1. CRIMPED FERRULE
HEX CRIMP SIZE .255"
 2. CRIMPED CONTACT PIN
HEX CRIMP SIZE .100"

QTY	FINISH	MATERIAL	DESCRIPTION
1	NEXCOTE	COOPER	FERRULE
1	GOLD	BRASS	CONTACT PIN
1	NATURAL	TEFLON	INSULATOR
1	NEXCOTE	BRASS	BODY

APPROVALS	DATE
DRAWN G.R.S.	04/31/03
CHECKED	
ISSUED	
SHEET 1 OF 1	

PART NO.	DWG. NO.	REV.	SIZE	SCALE
172135	172135.DWG	A	A	NA

Amphenol Connex

N CRIMP PLUG
(FOR LMR-240, RG-8/X)

CAD FILE C:/172/172135.DWG

UNLESS OTHERWISE SPECIFIED DIMENSIONS ARE IN MILLIMETERS. DIMENSIONS IN [] ARE IN INCHES AND FOR CUSTOMER REFERENCE ONLY. TOLERANCES FOR MILLIMETERS ARE:
0.5 - 8mm ± 0.20mm
8 - 30mm ± 0.40mm
30 - 120mm ± 0.50mm
UNLESS OTHERWISE SPECIFIED TOLERANCES FOR INCHES ARE:
.020 - .315 = ± 0.007"
.315 - 1.180 = ± 0.015"
1.180 - 4.174 = ± 0.020"

DO NOT SCALE DRAWING